

POST | 2.0 SCONCE

Fixture Description:

POST | The 2.0 Sconce celebrates the poetic dialogue between light and form to create a fixture that leans into the timeless and iconic. This fixture can be mounted horizontally or vertically.

Materials:

Brass, steel

Finishes:

Black, industrial clear, brushed brass, polished brass, naval brass, aged brass

Specifications:

Weight: 1 lbs

Height: 11"

Width: 5.5"

Depth: 2.25"

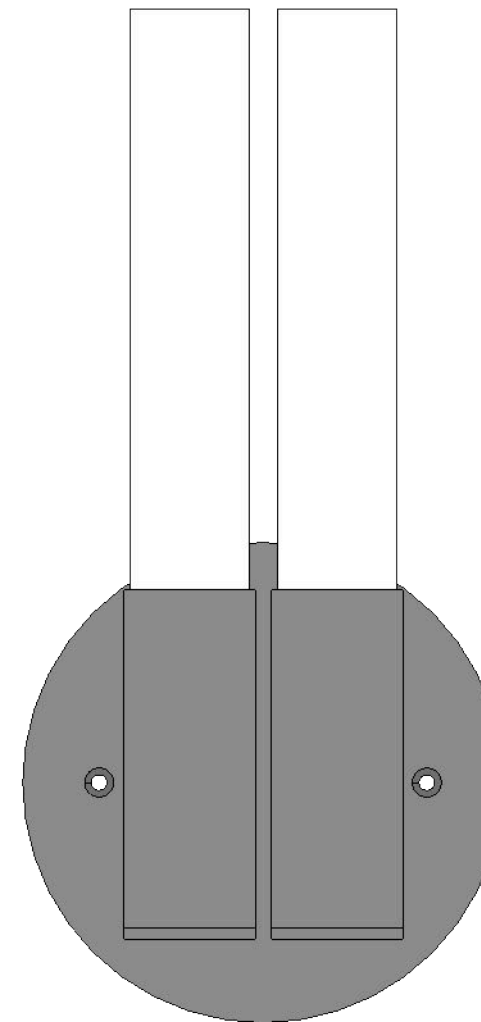
LED illumination (ONLY):

Socket: E26

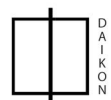
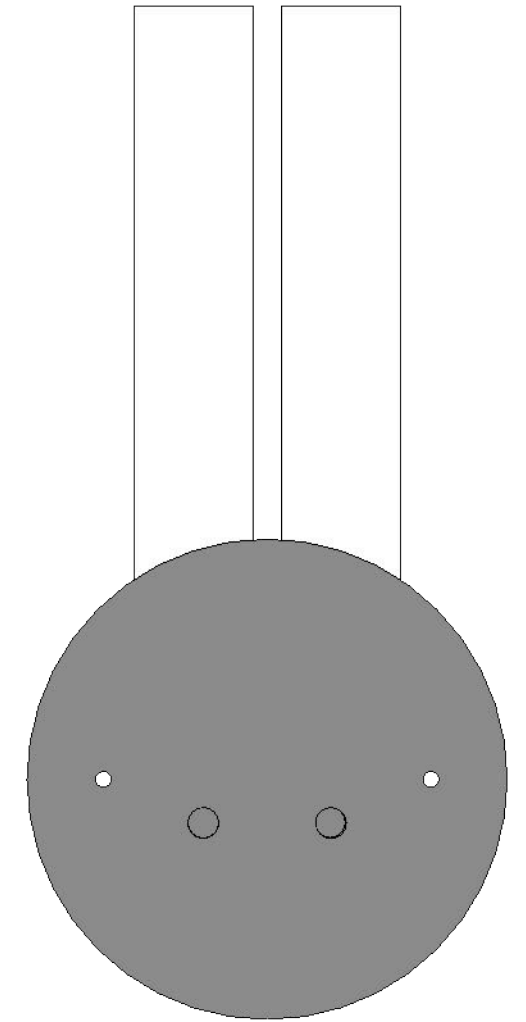
Bulbs: 185 mm T30

Wattage: 8 W max

FRONT



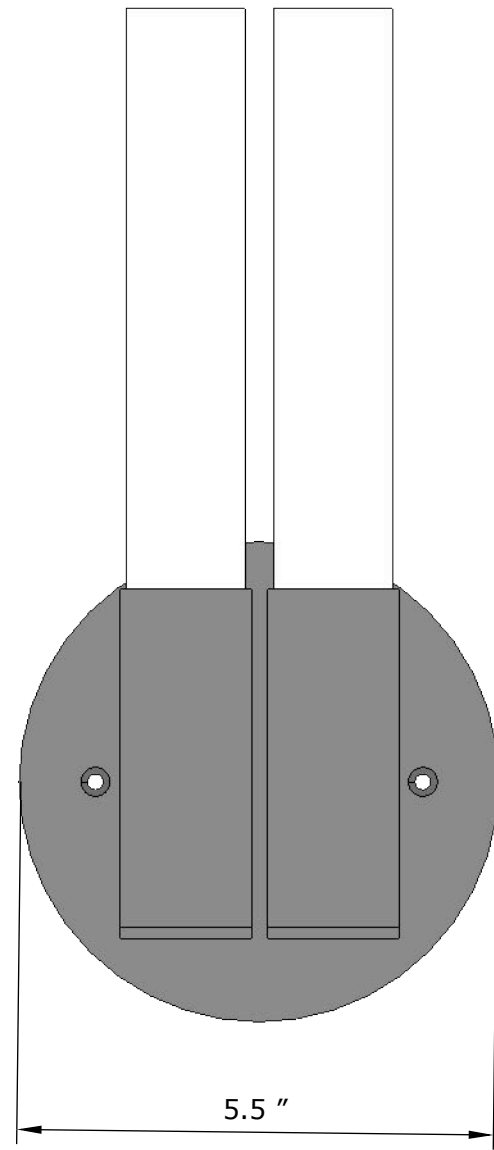
BACK



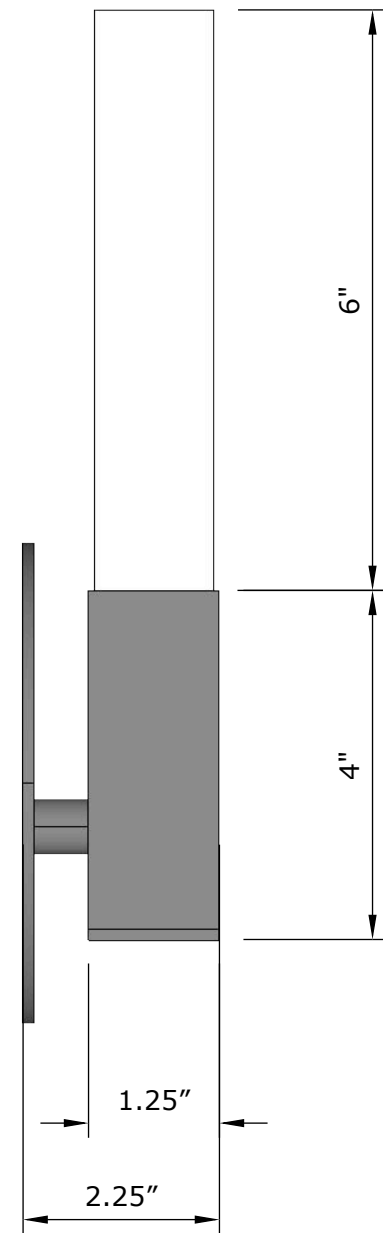
DAIKON POST | 2.0 SCONCE

CUT SHEET | SCALE: 1:2

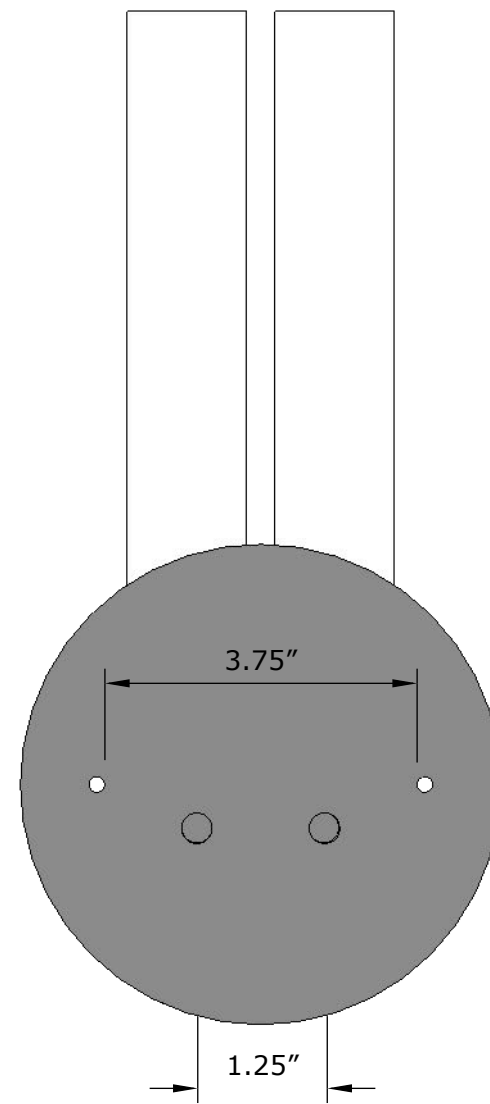
FRONT



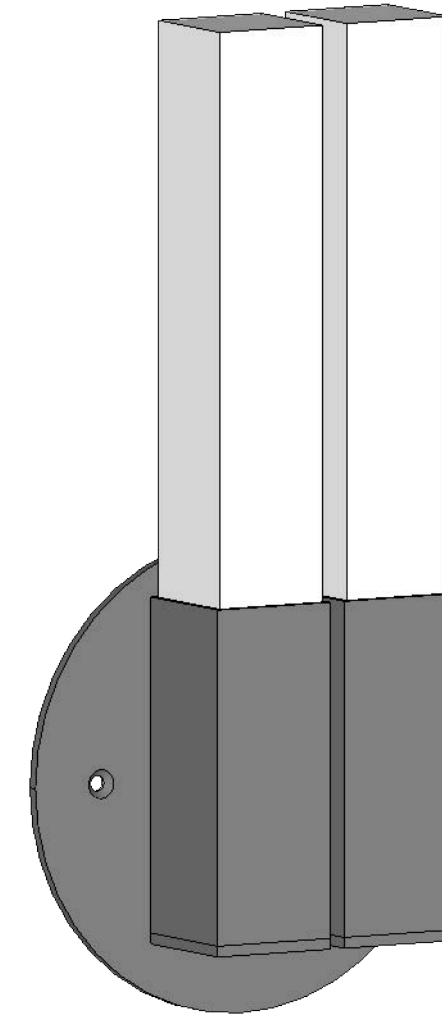
SIDE



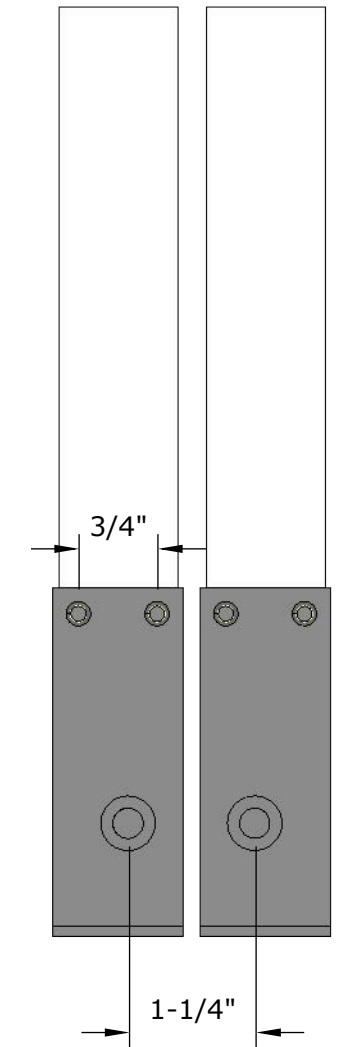
BACK



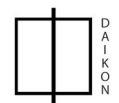
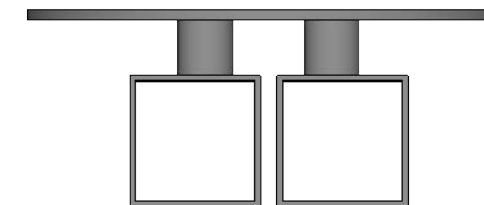
OBLIQUE



MOUNTING DETAILS



TOP



DAIKON POST | 2.0 SCONCE

CUT SHEET | SCALE: 1:2